

---

## INSTALLATION INSTRUCTIONS FOR THE SHOTGUN ADAPTER FOR TACTICAL ILLUMINATORS (CFL-900-A1)

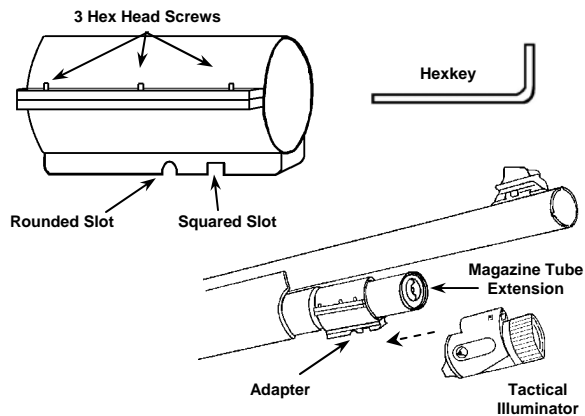
Used to mount an Insight Technology Tactical Illuminator to shotguns equipped with a magazine tube extension between 1" and 1.030" in diameter.

---

### WARNING

Be sure the weapon is CLEAR and SAFE before proceeding.

1. With the provided Hexkey, loosen the three (3) hex head screws to allow the Shotgun Adapter to slide onto the magazine extension tube. Be sure the squared slot is oriented toward the muzzle of the weapon.
2. Position the Adapter as desired and tighten all three (3) hex head screws until it is fully secured to the weapon.
3. The Shotgun Adapter is now ready to receive any Insight Technology Tactical Illuminator.



Also available for your shotgun are several versions of Remote Cable Switches. Please call for more details. We will help you select the version most appropriate for your weapon / Tactical Illuminator combination.



9 Akira Way, Londonderry, NH 03053  
Phone 603-626-4800 / Fax 603-626-4888